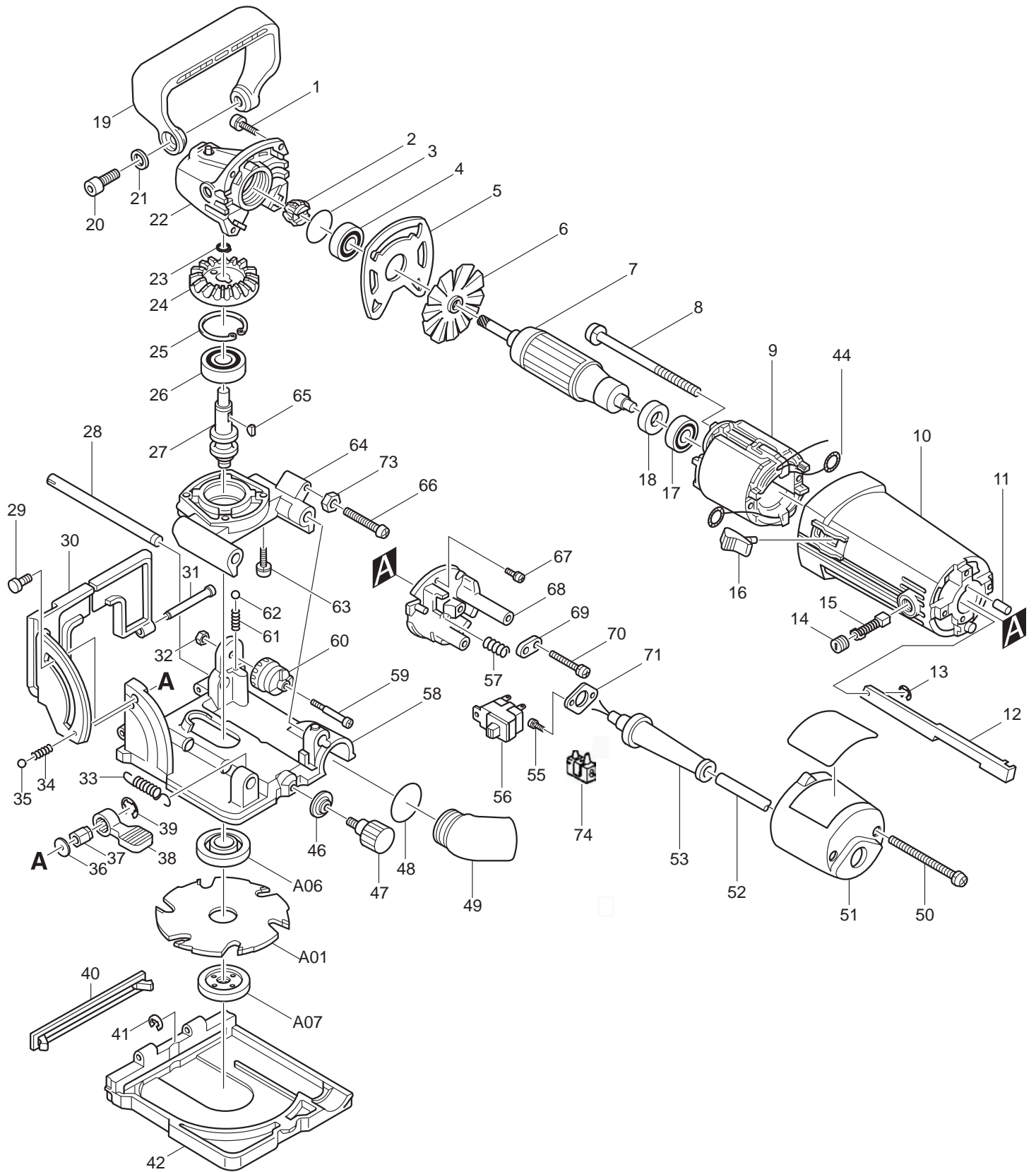




09 - 2010  
3901  
BISCUIT JOINER



Item No	Type	Ref	Part No	Description	Qty	Unit
1			911136-9	PAN HEAD SCREW M4X20	4	PC.
2			226708-0	SPIRAL BEVEL GEAR 11	1	PC.
3	1		213407-3	O RING 26	1	PC.
	2		213445-5	O RING 26	1	PC.
4			211088-7	BALL BEARING 6000DDW	1	PC.
5			341398-9	PLATE	1	PC.
6			241509-5	FAN 60	1	PC.
7			517086-2	ARMATURE ASS'Y 115V	1	PC.
		INC.		Item No. 6, 17, 18	1	PC.
8			911596-5	PAN HEAD SCREW M4X70	2	PC.
9			593276-1	FIELD ASS'Y 115V	1	PC.
		INC.	654100-4	RING TERMINAL	2	PC.
	2	INC.	654555-3	CONNECTOR 34130 (TYPE 2)	2	PC.
10			159283-0	MOTOR HOUSING COMPLETE	1	PC.
	2	INC.	643932-4	BRUSH HOLDER 6X9 (TYPE2)	2	PC.
		INC.		Item No. 11	1	PC.
11			263002-9	RUBBER PIN 4	1	PC.
12			414343-8	SWITCH ROD	1	PC.
13			257903-1	STOP RING E-2.3	1	PC.
14			643550-8	BRUSH HOLDER CAP 5-8	2	PC.
15	1		191938-1	CARBON BRUSH CB-408 (2PCS/SET)(W/O ORIGIN)	1	SET
	2		195008-8	CARBON BRUSH CB-408 2PC/SET (W/ ORIGIN)	1	SET
16			414663-0	SWITCH LEVER	1	PC.
17			210025-8	BALL BEARING 627LLB	1	PC.
18			681614-0	INSULATION WASHER	1	PC.
19			415253-2	GRIP	1	PC.
20			922422-3	HEX. SOCKET HEAD BOLT M8X16	2	PC.
21			941202-8	FLAT WASHER 8	2	PC.
22	1		157393-7	GEAR HOUSING COMPLETE (TYPE1)	1	PC.
		INC.	212005-0	NEEDLE BEARING 810	1	PC.
		INC.	231464-9	COMPRESSION SPRING 5	1	PC.
		INC.	256616-1	PIN 5	1	PC.
		INC.	343312-1	CUP	1	PC.
		INC.	*****	Item No. 3	1	PC.
22	2		159743-2	GEAR HOUSING COMPLETE (TYPE2)*	1	PC.
		INC.	212044-0	NEEDLE BEARING 810	1	PC.
		INC.	231464-9	COMPRESSION SPRING 5	1	PC.
		INC.	256695-9	PIN 5	1	PC.
		INC.	343312-1	CUP	1	PC.
		INC.	*****	Item No. 3	1	PC.
23			961052-5	RETAINING RING S-12	1	PC.
24			226709-8	SPIRAL BEVEL GEAR 36	1	PC.
25			962151-6	RETAINING RING R-32	1	PC.
26			211106-1	BALL BEARING 6201LLB	1	PC.
27			322737-2	SPINDLE	1	PC.
28			322657-0	ROD 10	2	PC.
29			251919-8	CAP SQUARE NECK BOLT M6X20	1	PC.
30			317045-4	FENCE	1	PC.
31			256689-4	PIN 4	2	PC.
32			931102-0	HEX. NUT M4	1	PC.
33			231795-6	TENSION SPRING 8	2	PC.
34			231282-5	COMPRESSION SPRING 2.4	1	PC.
35			216001-0	STEEL BALL 3.5	1	PC.
36			253804-1	FLAT WASHER 6	1	PC.
37			252133-9	HEX. NUT M6	1	PC.
38			272229-0	LEVER 40	1	PC.
39			961014-3	STOP RING E-8	1	PC.

Item No	Type	Ref	Part No	Description	Qty	Unit
40			162163-1	RUBBER FACING	1	PC.
41			961017-7	STOP RING E-3	2	PC.
42			317047-0	BLADE COVER	1	PC.
44			654100-4	GARTER SPRING	2	PC.
46			232131-9	LEAF SPRING	1	PC.
47			265716-6	SCREW M5X10	1	PC.
48			213008-7	O RING 22.4	1	PC.
49			415252-4	DUST NOZZLE	1	PC.
50			911188-0	P.H. SCREW M4X60	2	PC.
51			414553-7	REAR COVER	1	PC.
52			664064-4	CORD W/PLUG 2P-18-2.5M, SJ	1	PC.
53			682502-4	CORD GUARD 8-85	1	PC.
54			212044-0	NEEDLE BEARING	1	PC.
55			911111-5	P. H. SCREW M4X10	2	PC.
56			651460-5	SWITCH	1	PC.
57			231223-1	COMPRESSION SPRING 6	1	PC.
58	1		316495-0	BASE (TYPE1)	1	PC.
	2		317046-2	BASE (TYPE2)	1	PC.
59			265026-1	+ PAN HEAD SCREW H4	1	PC.
60			316491-8	STOPPER	1	PC.
61			231282-5	COMPRESSION SPRING 2.4	1	PC.
62			216001-0	STEEL BALL 3.5	1	PC.
63	1		911136-9	P.H. SCREW M4X20 (With Washer) (TYPE1)	4	PC.
	2		911140-8	P.H. SCREW M4X20 (With Locktite) (TYPE2)	4	PC.
64			317044-6	BEARING BOX	1	PC.
65			254002-0	WOODRUFF KEY 3	1	PC.
66			911266-6	PAN HEAD SCREW M5X45	1	PC.
67			911133-5	PAN HEAD SCREW M4X18	2	PC.
68			414211-5	SWITCH HOLDER	1	PC.
69			687002-9	STRAIN RELIEF	1	PC.
70			911123-8	P.H. SCREW M4X14	2	PC.
71			687637-6	SET PLATE	1	PC.
73			931203-4	HEX. NUT M5	1	PC.
74			654532-5	TERMINAL BLOCK 1P (CORD - SWITCH)	1	PC.
100			652021-4	BIND SCREW 5-40 UNCX5 (SWITCH)	2	PC.
101			654037-5	INSULATED EYE TERMINAL FV1.25-M3 (SWITCH)	2	PC.

### **ACCESSORIES**

**- See catalogue or visit [www.makita.ca](http://www.makita.ca) for more accessories information -**

A01	1		793382-4	4" C.T. CUTTER BLADE 6 TEETH (22MM)	1	PC.
	2		B-12924	4" C.T. CUTTER BLADE 8 TEETH (22MM)	1	PC.
	3		A-94982	4" C.T. CUTTER BLADE 8 TEETH (22MM) (EN FR SP)	1	PC.
	4		A-95118	4" C.T. CUTTER BLADE 8 TEETH (22MM)	1	PC.
	Opt.		792010-8	4 3/8" COMBINATION SAW BLADE 50 TEETH (20MM)	1	PC.
	Opt.		792012-4	4 3/8" CROSS CUT SAW BLADE 60 TEETH (20MM)	1	PC.
	Opt.		792015-8	4 3/8" C.T.SAW BLADE 4 TEETH (20MM)	1	PC.
	Opt.		721107-6A	4 3/8" C.T.SAW BLADE 24 TEETH (20MM)	1	PC.
A02			122474-6	DUST BAG ASS'Y	1	PC.
		INC.	410602-8	FASTENER	1	PC.
A03			782401-1	LOCK NUT WRENCH 20	1	PC.
A04			415579-2	SET PLATE 4	1	PC.

Item No	Type	Ref	Part No	Description	Qty	Unit
A05			122557-2	ANGLE GUIDE ASS'Y	1	PC.
	INC.		921332-1	HEX. BOLT	1	PC.
	INC.		316492-6	CLAMP	1	PC.
	INC.		226217-9	SPUR GEAR 16	1	PC.
	INC.		961017-7	STOP RING E-3	1	PC.
	INC.		253186-1	FLAT WASHER 7	1	PC.
	INC.		271415-0	KNOB	1	PC.
	INC.		232130-1	LEAF SPRING	1	PC.
	INC.		253804-1	FLATWASHER 7	1	PC.
	INC.		252133-9	HEX. NUT M6	1	PC.
	INC.		272229-0	LEVER 40	1	PC.
	INC.		961014-3	STOP RING E-8	1	PC.
A06			224280-6	INNER FLANGE 40	1	PC.
A07			224505-8	LOCK NUT 10-40	1	PC.
A08			A00471-9	PLASTIC CARRYING CASE	1	PC.